

**Quality, reliability and  
a reasonable price.**

Our reels feature a totally enclosed, gasketed spring rewind mechanism for the ultimate in protection from the elements. When paying out cable, a sturdy latching system holds the cable at the desired length. A gently tug on the cable releases the latch, and the cable retracts back onto the reel.

Reel construction is of galvanized/zinc plated steel with a durable baked enamel finish. All bearing surfaces are permanently lubricated. Stainless steel springs are available when specified. Various combinations of cable, end fittings and color are available to custom tailor a reel to your specific requirements!

## STANDARD MODELS

DMI-50CC 50' Cable Extension 3/32" dia. 7x7 stainless cable, yellow Hytrel jacket/100 amp copper clamp  
 DMI-75CC 75' Cable Extension 3/32" dia. 7x7 stainless cable, yellow Hytrel jacket/100 amp copper clamp  
 DMI-100ZC 100' Cable Extension 3/32" dia. 7x7 galvanized cable, clear PVC jacket/100 amp extra large clamp

## Cable Options

3/32" 7x19 Stainless steel cable, non-jacketed  
 3/32" 7X7 Galvanized steel, clear PVC jacket  
 3/32" dia. 7X7 Stainless cable, yellow Hytrel jacket  
 Wye (Y) Branch cable assemblies made to your requirements

## Cable Clamp and Plug Options

100 AMP Mueller Copper Clamp #21C (shown above)  
 100 AMP Mueller 11A Extra Large Clamp  
 Military Style Plug MIL-C 83413/4  
 Military Style Clamp MIL-C 83413/7

All of our reel components are treated for corrosion resistance. Exterior can be painted green, red, or yellow to your specifications. Baked enamel green is standard.

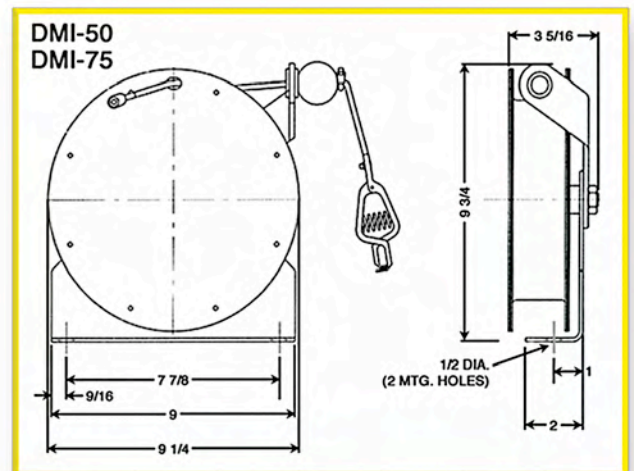
**Military Specification:** A-A-50696

**Electrical Resistance:** 10 ohms max. (clamp to mounting base)

**Life Cycle:** Tested to 5,000 cycles (full extension and retraction)

**Operating Temperature Range:** -65° F to 125° F

**Storage Temperature Range:** -80° F to 160° F



# Delmaco Manufacturing, Inc.

21424 Cedar Creek Ave.  
Georgetown, DE 19947-6305

sales@delmacomfg.com  
www.delmacomfg.com

phone: 302-521-8888  
fax: 302-856-6347